

Genie® AWP™-20S, AWP-25S, AWP-30S, **AWP-36S** & AWP-40S

Specifications

| Models | AWP-20S | | AWP-25S | | AWP-30S | |
|---|------------|--------|-------------|--------|------------|--------|
| Measurements | US | METRIC | US | METRIC | US | METRIC |
| Working height max. ⁽¹⁾ | 26 ft 1 in | 8.0 m | 30 ft 11 in | 9.4 m | 35 ft 6 in | 10.8 m |
| Platform height | 20 ft 1 in | 6.1 m | 24 ft 11 in | 7.6 m | 29 ft 6 in | 9.0 m |
| A Height - stowed (standard) | 6 ft 6 in | 1.98 m | 6 ft 6 in | 1.98 m | 6 ft 6 in | 1.98 m |
| B Height Tilted back ⁽²⁾ (standard) | - | - | - | - | - | - |
| C Length - stowed (standard) | 4 ft 1 in | 1.24 m | 4 ft 3.5 in | 1.31 m | 4 ft 5 in | 1.35 m |
| D Length - tilted back ⁽²⁾ | - | - | - | - | - | - |
| E Width | 2 ft 5 in | 0.74 m | 2 ft 5 in | 0.74 m | 2 ft 5 in | 0.74 m |

Productivity

| | | | | | | |
|--|---------------------|------------------|---------------------|------------------|---------------------|------------------|
| Lift capacity | 350 lb | 159 kg | 350 lb | 159 kg | 350 lb | 159 kg |
| F G Outrigger footprint (l/w) (standard) | 5 ft 1 in/4 ft 5 in | 1.55/1.35 m | 5 ft 9 in/5 ft 1 in | 1.75/1.55 m | 6 ft 4 in/5 ft 8 in | 1.93/1.73 m |
| H Corner access ⁽³⁾ (standard) | 1 ft 3 in | 0.38 m | 1 ft 7 in | 0.48 m | 1 ft 10 in | 0.56 m |
| I J Wall access front/side (standard) | 6 in/1 ft 1 in | 0.15/0.33 m | 7 in/1 ft 5 in | 0.18/0.43 m | 8 in/1 ft 9 in | 0.20/0.53 m |
| Standard platform dimensions (l/w/h) | 27/26/44.75 in | 0.69/0.66/1.14 m | 27/26/44.75 in | 0.69/0.66/1.14 m | 27/26/44.75 in | 0.69/0.66/1.14 m |
| Gated standard platform dimensions (l/w/h) | 27/26/44.75 in | 0.69/0.66/1.14 m | 27/26/44.75 in | 0.69/0.66/1.14 m | 27/26/44.75 in | 0.69/0.66/1.14 m |
| Gated narrow platform dimensions (l/w/h) | 26/20/44.75 in | 0.66/0.51/1.14 m | 26/20/44.75 in | 0.66/0.51/1.14 m | 26/20/44.75 in | 0.66/0.51/1.14 m |

Weight and Floor Loading⁽⁴⁾

| | | | | | | |
|-------------------------|----------|----------|----------|----------|----------|----------|
| AC models | 677 lb | 307 kg | 727 lb | 330 kg | 777 lb | 352 kg |
| DC models | 766 lb | 347 kg | 817 lb | 371 kg | 867 lb | 393 kg |
| Occupied floor pressure | 0.35 psi | 2.40 kPa | 0.28 psi | 1.90 kPa | 0.24 psi | 1.65 kPa |

| Models | AWP-36S | | AWP-40S | |
|---|-------------|---------|-------------|---------|
| Measurements | US | METRIC | US | METRIC |
| Working height max. ⁽¹⁾ | 42 ft 5 in | 12.90 m | 46 ft 4 in | 14.10 m |
| Platform height | 36 ft 5 in | 11.10 m | 40 ft 4 in | 12.30 m |
| A Height - stowed (standard) | 9 ft 1.5 in | 2.78 m | 9 ft 1.5 in | 2.78 m |
| B Height Tilted back ⁽²⁾ (standard) | 6 ft 3.5 in | 1.92 m | 6 ft 6 in | 1.98 m |
| C Length - stowed (standard) | 4 ft 7 in | 1.40 m | 4 ft 8 in | 1.42 m |
| D Length - tilted back ⁽²⁾ | 9 ft 9 in | 2.97 m | 9 ft 9 in | 2.97 m |
| E Width | 2 ft 5 in | 0.74 m | 2 ft 5 in | 0.74 m |

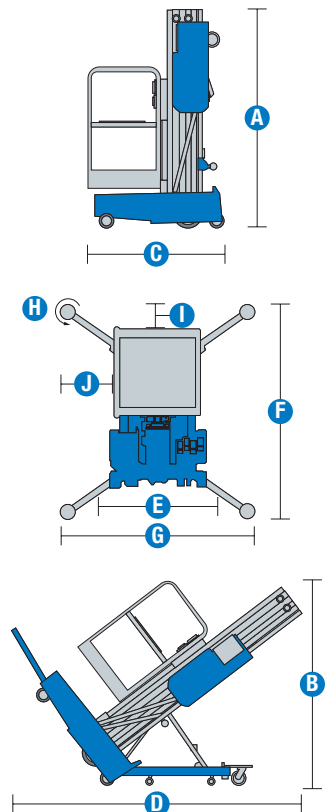
Productivity

| | | | | |
|--|----------------------|------------------|---------------------|------------------|
| Lift capacity | 350 lb | 159 kg | 300 lb | 136 kg |
| F G Outrigger footprint (l/w) (standard) | 6 ft 11 in/6 ft 3 in | 2.12/1.91 m | 7 ft 5 in/6 ft 9 in | 2.26/2.06 m |
| H Corner access ⁽³⁾ (standard) | 2 ft 5 in | 0.74 m | 2 ft 7 in | 0.79 m |
| I J Wall access front/side (standard) | 1 ft 2 in/2 ft 1 in | 0.36/0.64 m | 1 ft 3 in/2 ft 4 in | 0.38/0.71 m |
| Standard platform dimensions (l/w/h) | 27/26/44.75 in | 0.69/0.66/1.14 m | 27/26/44.75 in | 0.69/0.66/1.14 m |
| Gated standard platform dimensions (l/w/h) | 27/26/44.75 in | 0.69/0.66/1.14 m | 27/26/44.75 in | 0.69/0.66/1.14 m |
| Gated narrow platform dimensions (l/w/h) | 26/20/44.75 in | 0.66/0.51/1.14 m | 26/20/44.75 in | 0.66/0.51/1.14 m |

Weight and Floor Loading⁽⁴⁾

| | | | | |
|-------------------------|----------|----------|----------|----------|
| AC models | 1,017 lb | 461 kg | 1,040 lb | 472 kg |
| DC models | 1,107 lb | 502 kg | 1,130 lb | 513 kg |
| Occupied floor pressure | 0.23 psi | 1.60 kPa | 0.20 psi | 1.37 kPa |

| Power | | Sound and Vibration Levels |
|--------------------------|--------------------------------|---|
| Power source - AC models | 110V/50-60 Hz 220V/50-60 Hz | Sound Pressure level (ground workstation) < 70 dBA |
| Power source - DC models | 12V DC | Sound Pressure level (platform workstation) < 70 dBA Vibrations < 2.5 m/s ² |



(1) The metric equivalent of working height adds 2 m to platform height. U.S. adds 6 ft to platform height.
 (2) Gradeability applies to driving on slopes and may vary depending on options and machine configurations. See operator's manual for details regarding slope ratings.
 (3) Weight refers to standard configuration and may vary depending on options and/or country standards.
 (4) Floor loading information is approximate and may vary depending on options and machine configurations. It should be used only with adequate safety factors.

Genie® AWP™-20S, AWP-25S, AWP-30S, AWP-36S & AWP-40S

SKU: Stock Models

- **AWP20S01CE0001:** AWP-20S, AC Power
- **AWP25S01CE0004:** AWP-25S, AC Power
- **AWP30S01CE0004:** AWP-30S, AC Power
- AWP-36S, AC Power with Tilt-back frame*
- **AWP40S01CE0004:** AWP-40S, AC Power with Tilt-back frame

SKU: Stock Models

- AWP-20S, DC Power*
- AWP-25S, DC Power*
- **AWP30S01CE0005:** AWP-30S, DC Power
- AWP-36S, DC Power with Tilt-back frame*
- AWP-40S, DC Power with Tilt-back frame*

* Build to Order

| Option availability | | S | S+ | BtO |
|---------------------|--|---|----|-----|
| Power | Wet battery (DC - only for AWP-30S) | ✓ | ✓ | ✓ |
| | Dry battery (DC) | | | ○ |
| | 110V/50Hz | | | ○ |
| | 220V/50Hz | ✓ | ✓ | ✓ |
| | 12V 110/230V 50-60Hz worldwide smart charging system | ✓ | ✓ | ✓ |
| Platform | Sliding mid-rail standard platform | ✓ | ✓ | ✓ |
| | Gated standard platform | | | ○ |
| | Gated narrow platform | | | ○ |
| | Descent light and alarm package | | ○ | ○ |
| | Tool tray | | ○ | ○ |
| | AC power to platform | ✓ | ✓ | ✓ |
| Chassis | Standard base for all models | ✓ | ✓ | ✓ |
| | Auxiliary platform lowering | ✓ | ✓ | ✓ |
| | Easy operation: rolls through standard doorways | ✓ | ✓ | ✓ |
| | Fast load into pickup trucks | ✓ | ✓ | ✓ |
| | Forklift pockets (Standard base only) | ✓ | ✓ | ✓ |
| | Ground fault interrupt | ✓ | ✓ | ✓ |
| | Heavy-duty design and mast | ✓ | ✓ | ✓ |
| | LED lights confirm proper set-up | ✓ | ✓ | ✓ |
| | Outrigger storage pockets | ✓ | ✓ | ✓ |
| | Rocker base system for maneuverability | ✓ | ✓ | ✓ |
| | Standard outriggers | ✓ | ✓ | ✓ |
| | Tie-down attachment points | ✓ | ✓ | ✓ |
| | Lift Guard White Noise Alarm | | ○ | ○ |

- S Standard
- S+ Standard +
- BtO Build to Order
- ✓ Standard Features
- Options



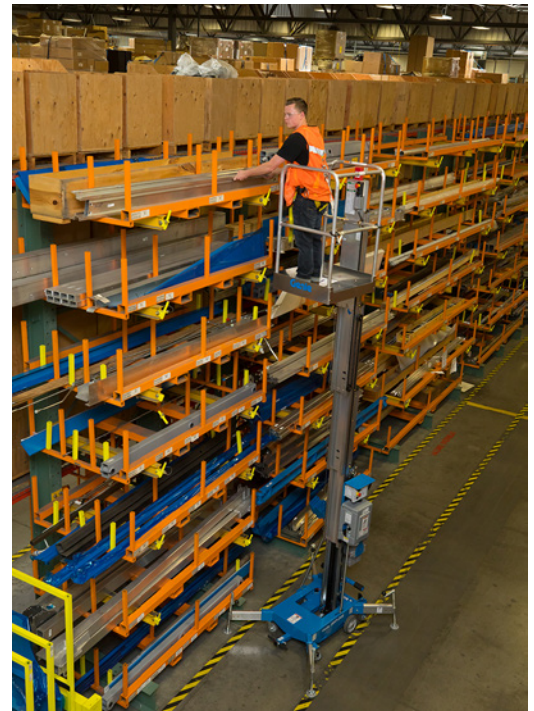
Lightweight



Easy to Load and Transport



Low Floor Loading



Genie Genuine Accessories⁽¹⁾

- Platform-locating laser light
- Fluorescent tube caddy

(1) More accessories available from Genie Genuine Parts.

Product specifications are subject to change without notice or obligation. Photographs and/or drawings herein are for illustrative purposes only. Refer to the appropriate Operator's Manual for instructions on proper equipment use. Failure to follow instructions in the Operator's Manual may result in serious injury or death. The only warranty applicable to our equipment is the standard written warranty applicable to the particular product and sale and we make no other warranty, express or implied. Products and services listed may be trademarks, service marks or trade names of Terex Corporation and/or their subsidiaries in the USA and many other countries. Terex, Genie, Xtra Capacity, Lift Power, Lift Guard, Lift Tools, Lift Connect and Tech Pro Link are registered trademarks of Terex Corporation or its subsidiaries.